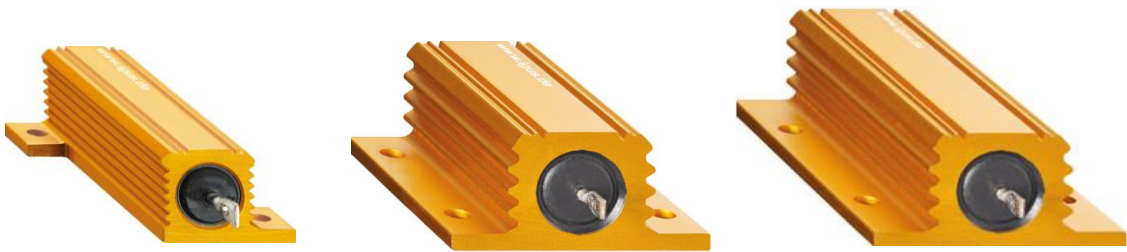




Accessories



Accessories Initiator

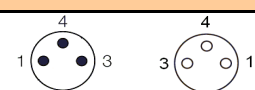
Accessories			
Initiator			
Part number	Connection type	Type	Output
INI-AB-I-025-A-AA	0.3m cable, 3-pin connector	Normally open (NO)	PNP
INI-AB-I-025-B-AA	0.3m cable, 3-pin connector	Normally close (NC)	PNP
INI-AB-I-025-D-AA	0.3m cable, 3-pin connector	Normally open (NO)	NPN
INI-AB-I-025-E-AA	0.3m cable, 3-pin connector	Normally close (NC)	NPN
INI-AB-I-025-A-AB	2m cable, 3-core	Normally open (NO)	PNP
INI-AB-I-025-B-AB	2m cable, 3-core	Normally close (NC)	PNP
INI-AB-I-025-D-AB	2m cable, 3-core	Normally open (NO)	NPN
INI-AB-I-025-E-AB	2m cable, 3-core	Normally close (NC)	NPN
INI-AS-I-015-B-AA	2m cable, 3-core	Normally close (NC)	PNP
INI-AS-I-015-E-AA	2m cable, 3-core	Normally open (NO)	NPN
INI-AC-F-025-I-AA	flat connection / solder connection	mechanical changeover contact	

Technical data		INI-AB-I-025-...	INI-AS-I-015-...	INI-AC-F-025-I-AA*
supply voltage	[VDC]	10...30	10...30	s. contact voltage
max. contact voltage	[VDC]	10...30	10...30	48
	[VAC]	not allowed	not allowed	250
switching current	[mA]	100	200	1000 / 6000
no-load current	[mA]	10	10	0
ambient temperature	[°C]	-25 ... +70	-25 ... +75	-40...+120
max. switching frequency	[Hz]	3000	4000	0,25
utilisation category/classification		DC12	ECl@ss 9.0	EN61058
protection class		IP67	IP67	IP50
reacting distance Sn	[mm]	2,5	1,5	s. operating point
tolerance	[%]	10	10	13
repeatability	[%]	3	2	not applicable
max. tightening torque	[Nm]	0,05	not relevant	not relevant
release force	[Ncm]	not relevant	not relevant	50
electrical endurance		not relevant	not relevant	10.000 operating cycle at 6A, 250VAC
mean time between failures (MTTF _d)	[years]	585 at +40°C (INI-AB-A(B)-AA) 835 at +40°C (INI-AB-D(E)-AA)	1735 at +40°C	not relevant
contact gap	[mm]	not relevant	not relevant	<3
material case		PA6 GF30	steel, brass	PBT o. PET GF30
material cable coating		PUR	PVC	no cable existing

*The switch may only switching a typ of load (motor load, resistance load, lamp load etc...),to wit no several mixed.

Technical data			
correction value (reduction of Sn)	INI-AB-I-025-...	INI-AS-I-015-...	INI-AC-F-025-I-AA
steel	1,0	1,0	not relevant
copper	0,25...0,45	0,4	not relevant
brass	0,35...0,50	0,04	not relevant
aluminium	0,30...0,45	0,45	not relevant
stainless steel	0,60...1,00	0,8	not relevant
nickel	0,65...0,75	no information	not relevant
cast iron	0,93...1,05	no information	not relevant

The correction value give the reduction from the reacting distance Sn by other material on, to deviate from steel. Example brass with a switching distance of 6mm; $S_n = 6\text{mm} \cdot 0,35 = 2,1\text{mm}$

Extension Cable M8 3-polig				
Part number	Sheath	Type	Cable length [m]	Plug
MAT9043716	TPE	CF9.INI	3	straight
MAT9043717	TPE	CF9.INI	5	straight
MAT9043719	TPE	CF9.INI	10	straight
Pins	Signal	Colour		
PIN 1	24V+	brown		
PIN 3	0V	blue		
PIN 4	switched	black		

Zubehör Initiator / Initiatorhalter

Technical data	INI-AB-I-025-...-AA	INI-AB-I-025-...-AB	INI-AS-I-015-...	INI-AC-F-025-I-AA
<p>circuit diagram</p> <p>1: brown (+) 4: black (switched) 3: blue (-)</p>	<p>PNP (NO)</p> <p>PNP (NC)</p> <p>NPN (NO)</p> <p>NPN (NC)</p>	<p>BN: brown (+) BK: black (switched) BU: blue (-)</p>	<p>1: base contact 2: normally closed contact (NC) 4: normally open contact (NO)</p>	
<p>connection</p>	<p>Plug M8x1 3-pin 0,3m cable (static)</p>	<p>2m cable (static), 3-core</p>	<p>2m cable (static), 3-core</p>	<p>flat connection / solder connection: length: 7,3mm width: 2,8mm thickness: 0,5mm</p>
<p>scale drawing</p>	<p>1) active area</p>	<p>1) active area</p>	<p>1) connection 2) Status-LED 3) Screw-nut (2x), SW13, metal</p>	<p>1) Rest position max. 15mm 2) operating point 11,1 ± 1,5mm</p>

Note: During one reference run it is important to be sure, that the validation from the initiator should be done with a speed of max. 1 mm/s. This provides a better availability accuracy of the zero position (reference position).hi

Accessories Initiator-Brackets and Spacer

Initiator-Bracket			
Part Number	Initiator	Linear modul	Material
ZSY-104021	INI-AB-...	ZLW-0630/-1040, ZAW-1040 SAW-0630/-1040/-1080	Aluminium, eloxed
ZSY-166006	INI-AB-...	ZLW-1660, SAW-1660	PA2200, coloured black
ZSY-104027	INI-AC-...	ZLW-0630/-1040, ZAW-1040 SAW-0630/-1040/-1080	Aluminium, eloxed
ZSY-104028	INI-AC-...	ZLW-0630/-1040, ZAW-1040 SAW-0630/-1040/-1080	Aluminium, eloxed
ZSY-INI-AS-A	INI-AS-..		Steel, galvanized
ZSY-INI-AS-B	INI-AS-..		Steel, galvanized
SSY-2701	INI-AB-...	SLN-27	PA2200, coloured black
SSY-2702	INI-AC-...	SLN-27	PA2200, coloured black

Technical Drawing	ZSY-INI-AS-A	ZSY-INI-AS-B

Spacer		
Part number	Linear modul	Material
STY-080604	SHT-08	aluminium, blue-grey anodized
STY-104001	SLW-1040	aluminium, clear anodized
STY-108002	SLW-1080	aluminium, clear anodized
STY-121001	SHT-12	aluminium, blue-grey anodized
STY-166006	SLW-1660	aluminium, clear anodized
STY-201801	SHT-20	aluminium, blue-grey anodized
STY-208005	SLW-2080	aluminium, clear anodized
STY-302406	SHT-30	aluminium, blue-grey anodized



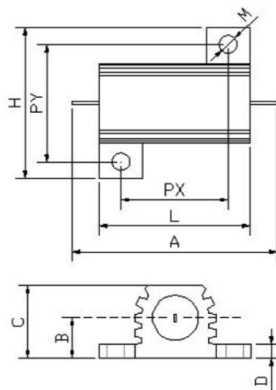
The spacer is a distance unit which levels the drylin® linear modul to the correct height from the motor. A possibility to install initiators is already prepared. An installation at a later time is also possible.

Accessories Brake Resistor

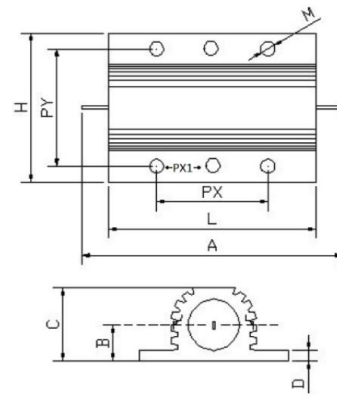
Technical data	DLE-BR-50-18R	DLE-BR-75-4R7	DLE-BR-100-3R3	DLE-BR-100-2R7
motor size	NEMA17 EC/BLDC	NEMA23 EC/BLDC	NEMA24 EC/BLDC	NEMA34 EC/BLDC
operating temperature [°C]	-25...250	-25...250	-25...250	-25...250
nominal power@ 25°C [W]	50	75	100	100
resistance [Ω]	18	4,7	3,3	2,7
voltage limit [V]	1250	1400	1900	1900
weight [g]	30	85	115	115
cooling element area [cm²]	550	1000	1000	1000
				

Dimension	DLE-BR-50-18R	DLE-BR-75-4R7	DLE-BR-100-3R3	DLE-BR-100-2R7
L ± 0,5 [mm]	50,1	48,9	65,4	65,4
A max. [mm]	72,5	71,0	87,5	87,5
H [mm]	30,0	48,0	48,0	48,0
PX ± 0,3 [mm]	39,7	29,0	35,0	35,0
PY ± 0,3 [mm]	21,4	37,0	37,0	37,0
M ± 0,5 [mm]	3,2	4,4	4,4	4,4
B max. [mm]	8,5	12,0	12,0	12,0
C max. [mm]	17,0	26,0	26,0	26,0
D [mm]	3,0	4,0	4,0	4,0

DLE-BR-50-18R

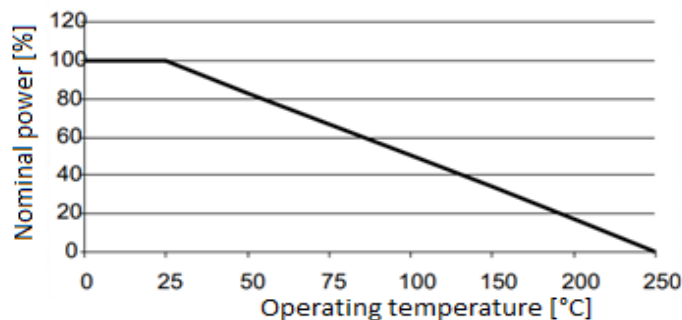


DLE-BR-75-4R7
DLE-BR-100-2R7
DLE-BR-50-18R



Material	
resistor body	Keramik
resistor coil	CuNi- oder CrNi-Draht
casing	Aluminium

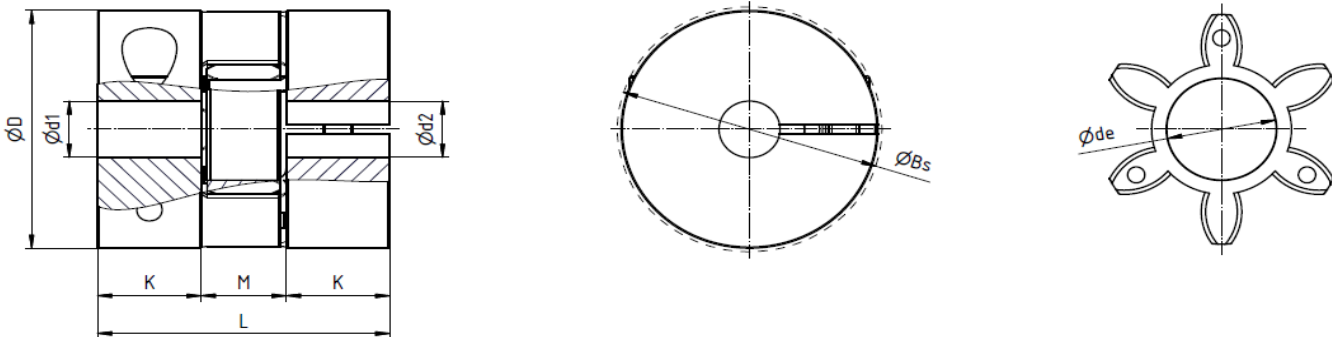
Derating-curve



Accessories Coupling

Technical data				
general data				
manufactured size	25	32	42	
max. revolutions per minute [min ⁻¹]	15.000	13.000	12.500	
moment of inertia [10 ⁻³ kgm ²]	0,002	0,003	0,01	
mounting screw	M3	M4	M5	
bolting torque [Nm]	2	4	6	
max. offset lateral [mm]	0,08	0,1	0,1	
max. offset angular [°]	1	1	1	
max. offset axial [mm]	±1	±1	±2	
weight min. - max. [g]	23 - 28	47 - 58	114 - 154	

material	
coupling hub	high-strength aluminium
elastomer annulus	wear-resistant high performance TPU
color	red
Shore hardness [Sh]	98
ambient temperature [°C]	-30 ... +100



dimension							
manufactured size	L [mm]	K1 [mm]	M [mm]	D Ø [mm]	d1/d2 Ø [mm]	de Ø [mm]	-
25	26	8,0	10,0	25,0	4,0 - 12,7	10,2	-
32	32	10,3	11,4	32,0	4,0 - 16,0	14,2	-
42	50	17,0	16,0	42,0	8,0 - 25,0	19,2	-

maximal transmittable torque of the coupling depending on the bore diameter																
manufactured size	shaft diameter [mm]															
	5		6,35		8		10		11		12		14		20	
	M _N	M _{max}	M _N	M _{max}	M _N	M _{max}	M _N	M _{max}	M _N	M _{max}	M _N	M _{max}	M _N	M _{max}	M _N	M _{max}
25	1	2	2,5	5	4	8	4,3	8,5	4,5	9	5	10	-	-	-	-
32	2	4	3,3	6,5	6	12	7	14	8,5	17	10	20	12,5	25	-	-
42	-	-	-	-	10	20	11	22	11,8	23,5	12,5	25	13,5	27	17	34

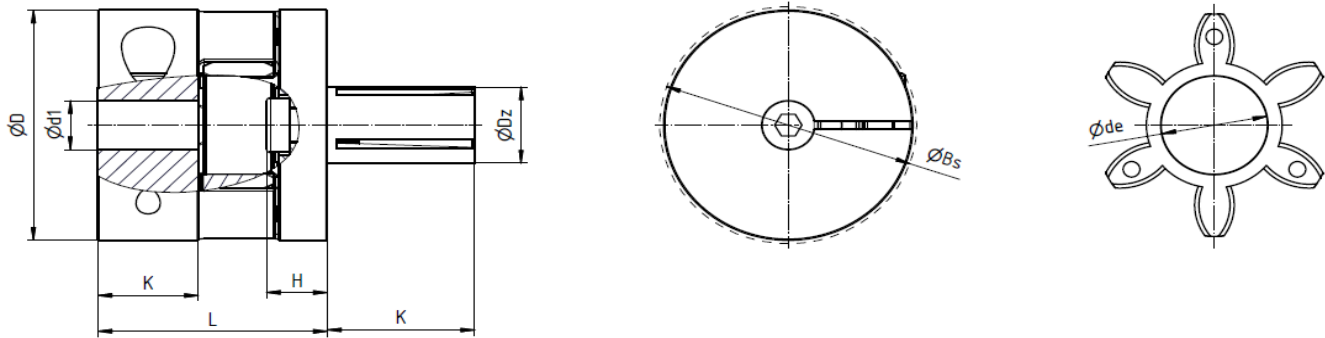
M_N: rated torque (permanent transmittable torque)

M_{max}: max. transmittable torque (short term application torque, for example max. acceleration torque, no permanent transmittable torque)

Accessories Coupling

technical data				
general data				
manufactured size	25	32	42	
max. revolutions per minute [min ⁻¹]	15.000	13.000	12.500	
moment of inertia [10 ⁻³ kgm ²]	0,004	0,004	0,005	
mounting screw E1	M3	M4	M5	
mounting screw E2	M4	M5	M6	
bolting torque E1 [Nm]	2	4	8	
bolting torque E2 [Nm]	4	9	12	
max. offset lateral [mm]	0,08	0,1	0,1	
max. offset angular [°]	1	1	1	
max. offset axial [mm]	±1	±1	±2	
weight min. - max. [g]	40	50	120	

material	
coupling hub	high-strength aluminium
Inside taper + expanding mandrel	steel
elastomer annulus	wear-resistant high performance TPU
color	red
Shore hardness [Sh]	98
ambient temperature [°C]	-30 ... +100
elastomer annulus	



dimension								
manufactured size	L [mm]	K1 [mm]	K2 [mm]	H [mm]	d1 Ø [mm]	D2 Ø [mm]	D Ø [mm]	de Ø [mm]
25	22	8,0	12,0	7,0	4,0 - 12,7	14,0	25	10,2
32	28	10,3	20,0	7,0	4,0 - 16,0	14,0	32	14,2
42	40	17,0	25,0	10,0	8,0 - 25,0	14,0	42	19,2

maximal transmittable torque of the coupling depending on the bore diameter																	
manufactured size		shaft diameter [mm]															
		5		6,35		8		10		11		12		14		20	
		M _N	M _{max}	M _N	M _{max}	M _N	M _{max}	M _N	M _{max}	M _N	M _{max}	M _N	M _{max}	M _N	M _{max}	M _N	M _{max}
25		1	2	2,25	5,5	4	8	4,3	8,5	4,7	9,5	5,3	10,5	-	-	-	-
32		2	4	4	8	6	12	6,7	12,5	7	14	7,5	15	9	18	-	-
42		-	-	-	-	10	20	10,5	21	11,7	23	12,5	25	14,7	29,5	23	46

M_N: rated torque (permanent transmittable torque)
M_{max}: max. transmittable torque (short term application torque, for example max. acceleration torque, no permanent transmittable torque)

accessories				
claw coupling				
part number	shaft Ø motor [mm]	shaft Ø axis [mm]	linear modul	motor
COU-AR-K-050-000-25-26-B-AAAB	5	6 four cornered shaft	ZLW-0630-B ZLW-1040-B	MOT-AN-S-060-005-042...
COU-AR-K-050-060-25-26-B-AAAA	5	6	SLT-BB-0412 SHT-08-ZB	MOT-AN-S-060-005-042-...
COU-AR-K-050-060-32-32-B-AAAA	5	6	SAW-1040-Z SHT-12-Z	MOT-AN-S-060-005-042-...
COU-AR-K-050-080-25-26-B-AAAA	5	8	ZLW-0630-S SLW-0630 SAW-0630 SLT-0412	MOT-AN-S-060-005-042-...
COU-AR-K-050-080-32-32-B-AAAA	5	8	SAW-1080 SLT-0415	MOT-AN-S-060-005-042-...
COU-AR-K-050-100-32-32-B-AAAA	5	10	ZLW-1040-S SLW-1040 SAW-1040 SHT-12	MOT-AN-S-060-005-042-...
COU-AR-K-060-000-25-26-B-AAAB	6	6 four cornered shaft	ZLW-0630-B ZLW-1040-B	MOT-AE-B-024-001-037-... MOT-AE-B-024-003-037-... MOT-AE-B-024-005-036-... MOT-AE-B-024-007-037-... MOT-AE-B-024-015-037-...
COU-AR-K-060-060-25-26-B-AAAA	6	6	SHT-08-ZB	MOT-AE-B-024-001-037-... MOT-AE-B-024-003-037-... MOT-AE-B-024-005-036-... MOT-AE-B-024-007-037-... MOT-AE-B-024-015-037-...
COU-AR-K-060-060-32-32-B-AAAA	6	6	SHT-12	MOT-AE-B-024-001-037-... MOT-AE-B-024-003-037-... MOT-AE-B-024-005-036-... MOT-AE-B-024-007-037-... MOT-AE-B-024-015-037-...
COU-AR-K-060-080-25-26-B-AAAA	6	8	ZLW-0630-S SLW-0630 SAW-0630	MOT-AE-B-024-001-037-... MOT-AE-B-024-003-037-... MOT-AE-B-024-005-036-... MOT-AE-B-024-007-037-... MOT-AE-B-024-015-037-...
COU-AR-K-060-100-32-32-B-AAAA	6	10	ZLW-1040/-1080 SLW-1040 SAW-1040 SHT-12	MOT-AE-B-024-001-037-... MOT-AE-B-024-003-037-... MOT-AE-B-024-005-036-... MOT-AE-B-024-007-037-... MOT-AE-B-024-015-037-...
COU-AR-K-060-120-32-32-B-AAAA	6	12	SLW-2080 SAW-1040 SHT-BB-20	MOT-AE-B-024-001-037-... MOT-AE-B-024-003-037-... MOT-AE-B-024-005-036-... MOT-AE-B-024-007-037-... MOT-AE-B-024-015-037-...
COU-AR-K-060-140-32-32-B-AAAA	6	14	SAW-1660	MOT-AE-B-024-015-037-...

accessories coupling

claw coupling				
part number	shaft Ø motor [mm]	shaft Ø axis [mm]	linear modul	motor
COU-AR-K-063-000-25-26-B-AAAB	6,35	6 four cornered shaft	ZLW-0630-B ZLW-1040-B	MOT-AN-S-060-020-056-... MOT-AD-S-060-017-056-... MOT-AP-S-060-013-056-... MOT-AP-S-060-007-056-...
COU-AR-K-063-060-32-32-B-AAAA	6,35	6	SLW-BB-1040-Z SLW-1040-AL-Z SAW-1040-Z SHT-(BB)12-Z	MOT-AN-S-060-020-056-... MOT-AD-S-060-017-056-... MOT-AP-S-060-013-056-... MOT-AP-S-060-007-056-...
COU-AR-K-063-080-25-26-B-AAAA	6,35	8	ZLW-0630	MOT-AN-S-060-020-056-... MOT-AD-S-060-017-056-... MOT-AP-S-060-013-056-... MOT-AP-S-060-007-056-...
COU-AR-K-063-080-32-32-B-AAAA	6,35	8	SAW-1080	MOT-AN-S-060-020-056-... MOT-AD-S-060-017-056-... MOT-AP-S-060-013-056-... MOT-AP-S-060-007-056-...
COU-AR-K-063-100-32-32-B-AAAA	6,35	10	ZLW-1040-S ZAW-1040 SLW-1040 SAW-1040 SHT-12	MOT-AN-S-060-020-056-... MOT-AD-S-060-017-056-... MOT-AP-S-060-013-056-... MOT-AP-S-060-007-056-...
COU-AR-K-063-120-32-32-B-AAAA	6,35	12	SHT-20	MOT-AN-S-060-020-056-... MOT-AD-S-060-017-056-... MOT-AP-S-060-013-056-... MOT-AP-S-060-007-056-...
COU-AR-K-063-140-32-32-B-AAAA	6,35	14	SLW-1660 SAW-1660	MOT-AN-S-060-020-056-... MOT-AD-S-060-017-056-... MOT-AP-S-060-013-056-... MOT-AP-S-060-007-056-...
COU-AR-K-080-000-25-26-B-AAAB	8	6 four cornered shaft	ZLW-0630-B ZLW-1040-B	MOT-AN-S-060-035-060-...
COU-AR-K-080-060-32-32-B-AAAA	8	6	SLW-BB-1040-Z SLW-1040-AL-Z SAW-1040-Z SHT-(BB)-12-Z	MOT-AN-S-060-035-060-... MOT-AE-B-024-010-042-... MOT-AE-B-024-018-042-...
COU-AR-K-080-080-25-26-B-AAAA	8	8	ZLW-0630-S	MOT-AN-S-060-035-060-... MOT-AE-B-024-010-042-... MOT-AE-B-024-018-042-...
COU-AR-K-080-080-32-32-B-AAAA	8	8	SAW-1080	MOT-AN-S-060-035-060-... MOT-AE-B-024-010-042-... MOT-AE-B-024-018-042-...
COU-AR-K-080-100-32-32-B-AAAA	8	10	ZLW-1040-S ZAW-1040 SLW-1040 SAW-1040 SHT-12	MOT-AN-S-060-035-060-... MOT-AE-B-024-010-042-... MOT-AE-B-024-018-042-...
COU-AR-K-080-120-32-32-B-AAAA	8	12	SLW-2080 SHT-(BB)-20	MOT-AN-S-060-035-060-... MOT-AE-B-024-010-042-... MOT-AE-B-024-018-042-...

claw coupling				
part number	shaft Ø motor [mm]	shaft Ø axis [mm]	linear modul	motor
COU-AR-K-080-140-32-32-B-AAAA	8	14	SLW-1660 SAW-1660	MOT-AN-S-060-035-060-... MOT-AE-B-024-010-042-... MOT-AE-B-024-018-042-...
COU-AR-K-080-140-42-50-B-AAAA	8	14		MOT-AN-S-060-035-060-... MOT-AE-B-024-010-042-... MOT-AE-B-024-018-042-...
COU-AR-K-140-000-32-32-B-AAAB	14	6 four cornered shaft	ZLW-1040-B	MOT-AN-S-060-059-086-...
COU-AR-K-140-100-32-32-B-AAAA	14	10	ZLW-1040-S	MOT-AN-S-060-059-086-...
COU-AR-K-140-120-32-32-B-AAAA	14	12	SLW-2080 SHT-(BB)-20	MOT-AN-S-060-059-086-...
COU-AR-K-140-140-32-32-B-AAAA	14	14	ZLW-1660-S	MOT-AN-S-060-059-086-...
COU-AR-K-140-200-42-50-B-AAAA	14	20	SHTC-50	MOT-AN-S-060-059-086-...

On request further couplings or special couplings available!

accessories			
motor flange stepper motor			
part number	linear modul	motor	material
MF-0412-NEMA11-M	SLT-BB-0412	MOT-AN-S-060-001-028-...	aluminium, black anodized
MF-0415-NEMA17-M	SLT-0415	MOT-AN-S-060-005-042-...	aluminium, black anodized
MF-0415-NEMA23-M	SLT-0415	MOT-AD-S-060-017-056-... MOT-AN-S-060-020-056-... MOT-AN-S-060-035-060-... MOT-AP-S-060-007-056-... MOT-AP-S-060-013-056-...	aluminium, black anodized
MF-0630-NEMA17-S	ZLW-0630	MOT-AN-S-060-005-042-...	aluminium, clear anodized
MF-0630-NEMA23-S	ZLW-0630	MOT-AD-S-060-017-056-... MOT-AN-S-060-020-056-... MOT-AN-S-060-035-060-... MOT-AP-S-060-007-056-... MOT-AP-S-060-013-056-...	aluminium, clear anodized
MF-1040-NEMA17-S	ZLW-1040	MOT-AN-S-060-005-042-...	aluminium, clear anodized
MF-1040-NEMA23-S	ZLW-1040	MOT-AD-S-060-017-056-... MOT-AN-S-060-020-056-... MOT-AN-S-060-035-060-... MOT-AP-S-060-007-056-... MOT-AP-S-060-013-056-...	aluminium, clear anodized
MF-1040-NEMA34-L	ZLW-1040	MOT-AN-S-060-059-086-...	aluminium, clear anodized
MF-1123-NEMA17	SLW-0630-(BB) SAW-0630 SHT-08-(ZB)	MOT-AN-S-060-005-042-...	plastic material, black
MF-1123-NEMA17-AL	SLW-0630-(BB) SAW-0630 SHT-08-(ZB)	MOT-AN-S-060-005-042-...	aluminium
MF-1660-NEMA34-S	ZLW-1660	MOT-AN-S-060-059-086-...	aluminium, black anodized
MF-2040-NEMA17	SLW-1040/-1080 SAW-1040/-1080 SHT-12	MOT-AN-S-060-005-042-...	aluminium, black anodized
MF-2040-NEMA23-S	SLW-1040-(BB)-AL SLW-1080/-1660 SAW-1080/-1660 SHT-12/-20	MOT-AD-S-060-017-056-... MOT-AN-S-060-020-056-... MOT-AN-S-060-035-060-... MOT-AP-S-060-007-056-... MOT-AP-S-060-013-056-...	aluminium, black anodized
MF-2260-NEMA23-S	ZAW-1040	MOT-AD-S-060-017-056-... MOT-AN-S-060-020-056-... MOT-AN-S-060-035-060-... MOT-AP-S-060-007-056-... MOT-AP-S-060-013-056-...	aluminium, clear anodized
MF-3648-NEMA23	SLW-2080 SHT-(BB)-20	MOT-AD-S-060-017-056-... MOT-AN-S-060-020-056-... MOT-AN-S-060-035-060-... MOT-AP-S-060-007-056-... MOT-AP-S-060-013-056-...	aluminium, black anodized
MF-3648-NEMA34	SLW-1660/-2080-(BB) SHT-(BB)-20	MOT-AN-S-060-059-086-...	aluminium, black anodized
MF-3648-NEMA34-XL	SHT-(BB)-30	MOT-AN-S-060-059-086-...	aluminium, black anodized

motor flange dc-motor			
part number	linear modul	motor	material
MF-0412-DC0260-M	SLT-BB-0412	MOT-AE-B-024-005-036-...	aluminium, black anodized
MF-0415-DC0350-M	SLT-0415	MOT-AE-B-024-010-042-... MOT-AE-B-024-018-042-...	aluminium, black anodized
MF-0630-DC0260	ZLW-0630	MOT-AE-B-024-005-036-...	aluminium, black anodized
MF-0630-DC0310	ZLW-0630	MOT-AE-B-024-001-037-... MOT-AE-B-024-003-037-... MOT-AE-B-024-007-037-... MOT-AE-B-024-015-037-...	aluminium, black anodized
MF-0630-DC0350	ZLW-0630	MOT-AE-B-024-010-042-... MOT-AE-B-024-018-042-...	aluminium, black anodized
MF-1040-DC0260	ZLW-1040	MOT-AE-B-024-005-036-...	aluminium, black anodized
MF-1040-DC0310	ZLW-1040	MOT-AE-B-024-003-037-... MOT-AE-B-024-007-037-... MOT-AE-B-024-015-037-...	aluminium, black anodized
MF-1040-DC0350	ZLW-1040	MOT-AE-B-024-010-042-... MOT-AE-B-024-018-042-...	aluminium, black anodized
MF-1123-DC0310	SLW-0630-(BB) SAW-0630 SHT-12-ZB	MOT-AE-B-024-001-037-... MOT-AE-B-024-003-037-... MOT-AE-B-024-007-037-... MOT-AE-B-024-015-037-...	plastic material, black
MF-2040-DC0260	SLW-1040-(BB)-AL SAW-1080 SHT-12	MOT-AE-B-024-005-036-...	aluminium, black anodized
MF-2040-DC0310	SLW-(BB)-1040-AL SAW-1040 SHT-12/-20	MOT-AE-B-024-001-037-... MOT-AE-B-024-003-037-... MOT-AE-B-024-007-037-... MOT-AE-B-024-015-037-...	aluminium, black anodized
MF-2040-DC0350	SLW-1040/-1660 SAW-1040/-1080/-1660 SHT-12	MOT-AE-B-024-010-042-... MOT-AE-B-024-018-042-...	aluminium, black anodized
MF-3648-DC0310	SLW-2080	MOT-AE-B-024-015-037-...	aluminium, black anodized
MF-3648-DC0350	SLW-2080 SAW-2080 SHT-(BB)-20	MOT-AE-B-024-010-042-... MOT-AE-B-024-018-042-...	aluminium, black anodized
MF-3648-DC0350-XL	SHT-30	MOT-AE-B-024-010-042-... MOT-AE-B-024-018-042-...	aluminium, black anodized